

## Mounting Instruction

Revision set : **Pressure Gauge R61.426**

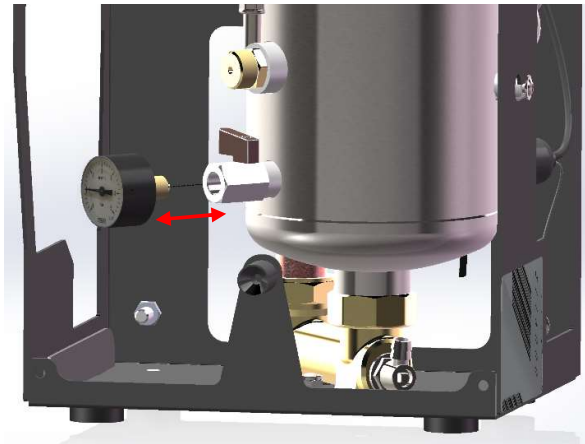
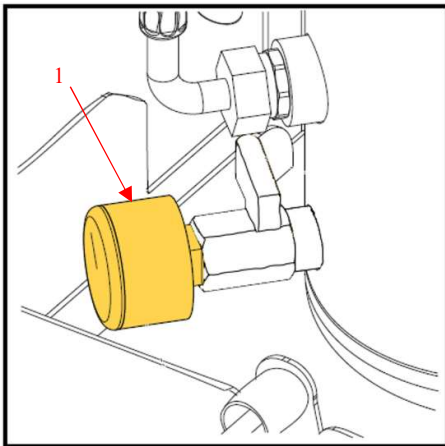
Article No. : R61.426

Contents of the revision set:

- Pressure gauge
- Instructions



**NOTE:** - Before servicing the Spirovent Superior make sure the unit is isolated from the power supply and that all pressure is released. Also drain vessel using drain located below vessel (see chapter 7.3 of the user manual).  
- Installation and maintenance may only be carried out by a qualified installer



(De)mounting:

- 1) Remove existing pressure gauge (1).
- 2) If pressure gauge cannot be removed using hand tools, apply localized heat to thread location and disassemble when warm.

(Re)mounting:

- 1) Ensure all thread is clear and dry.
- 2) Apply Loctite 542 to thread of the replacement pressure gauge (Note: Loctite 542 is the recommended thread sealing method. If not available then an equivalent product or appropriate thread sealing method must be used.)
- 3) Install replacement pressure gauge.
- 4) Ensure no leaks.

Putting the Spirovent Superior back into operation

See chapter 5. of user manual to put system back into service.

75.489\_00