

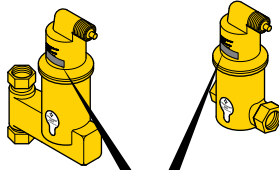



Mounting and operating instruction

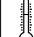
For article no's starting with AA, except for AAS



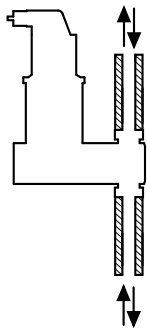
17.657_04









 0- ... bar

 0- ... °C


Acc.PED (2014/68/EU) §4.3



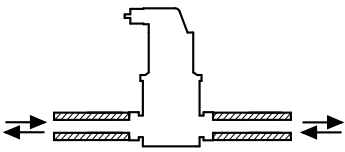








H₂O



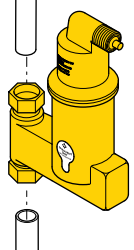
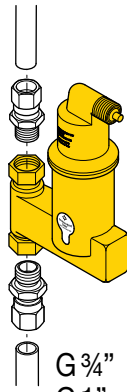
< 50% glycol








0 bar

ø22mm

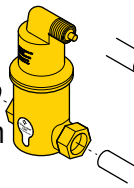
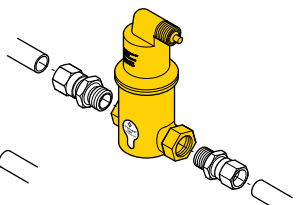



G 3/4"
G 1"





0 bar

ø22mm

G 3/4"
G 1"
G 1 1/4"
G 1 1/2"
G 2"



P_{max} = 1,5 x ... bar

